

**FFKDS/V-2,54**

Order No.: 1791813

<http://eshop.phoenixcontact.de/phoenix/treeViewClick.do?UID=1791813>

Printed circuit terminal block, nominal current: 6 A, rated voltage: 63 V, pitch: 2.54 mm, no. of positions: 1, mounting: Soldering, type of connection: Spring-cage connection, connection direction from the conductor to the PCB: 90°

Commercial data	
EAN	4017918044442
Pack	100 Pcs.
Customs tariff	85369010
Weight/Piece	0.000549 KG
Catalog page information	Page 93 (CC-2007)

## Product notes

WEEE/RoHS-compliant since:  
01/01/2003



<http://www.download.phoenixcontact.com>  
Please note that the data given here has been taken from the online catalog. For comprehensive information and data, please refer to the user documentation. The General Terms and Conditions of Use apply to Internet downloads.

Technical data	
<b>Dimensions / positions</b>	
Pitch	2.54 mm
Number of positions	1
Pin dimensions	0,5 x 0,8 mm
Hole diameter	1.1 mm

**Technical data**

Insulating material group	I
Rated surge voltage (III/3)	2.5 kV
Rated surge voltage (III/2)	2.5 kV
Rated surge voltage (II/2)	2.5 kV
Rated voltage (III/2)	160 V
Rated voltage (II/2)	320 V
Connection in acc. with standard	EN-VDE
Nominal current $I_N$	6 A
Nominal voltage $U_N$	63 V
Nominal cross section	0.5 mm <sup>2</sup>
Maximum load current	6 A (with 0.5 mm <sup>2</sup> conductor cross section)
Insulating material	PA
Inflammability class acc. to UL 94	V0
Stripping length	11 mm

**Connection data**

Conductor cross section solid min.	0.14 mm <sup>2</sup>
Conductor cross section solid max.	0.5 mm <sup>2</sup>
Conductor cross section stranded min.	0.14 mm <sup>2</sup>
Conductor cross section stranded max.	0.5 mm <sup>2</sup>
Conductor cross section AWG/kcmil min.	26
Conductor cross section AWG/kcmil max	20

**Certificates / Approvals****CSA**

Nominal voltage $U_N$	150 V
Nominal current $I_N$	6 A
AWG/kcmil	20

**CUL**

Nominal voltage $U_N$	150 V
-----------------------	-------

Nominal current $I_N$	6 A
AWG/kcmil	26-20

**UL**

Nominal voltage $U_N$	150 V
Nominal current $I_N$	6 A
AWG/kcmil	26-20
Certification	CCA, CSA, CUL, KEMA, UL

**Accessories**

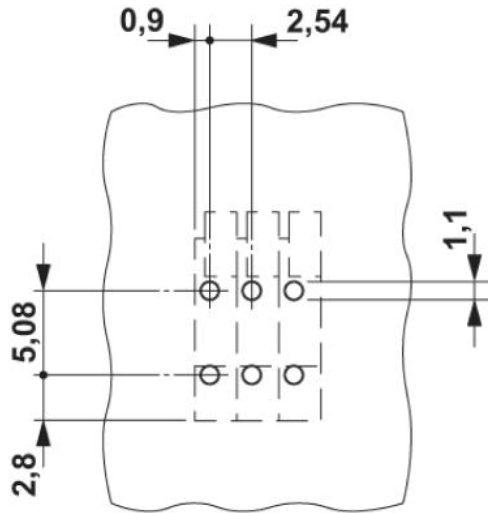
Item	Designation	Description
<b>Marking</b>		
1051993	B-STIFT	Marker pen, for manual labeling of unprinted Zack strips, smear-proof and waterproof, line thickness 0.5 mm
0804853	SK 2,54/2,8:FORTL.ZAHLEN	Marker card, printed horizontally, self-adhesive, 10-section marker strip, 14 identical decades marked 1-10, 11-20 etc. up to 91-100, sufficient for 140 terminal blocks
0804879	SK 2,54/2,8:SO	Marker card, special printing, self-adhesive, labeled acc. to customer requirements, 14 identical marker strips per card, max. 25-position labeling per strip, color: White
0805205	SK 2,8 WH:REEL	Self-adhesive Marker strips, unprinted, material off the roll, for individual labeling with thermal transfer printer CMS-THERMO X1, can be separated using optional cutter CMS-CUTTER X1, free choice of pitch, 1 roll= 90 m
0803883	SK U/2,8 WH:UNBEDRUCKT	Unprinted marker cards, DIN A4 format, pitch as desired, self-adhesive, with 50 stamped marker strips, 185 mm strip length, can be labeled with the CMS system or manually with the M-PEN

**Additional products**

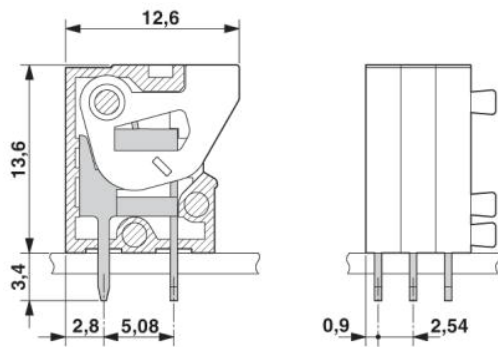
Item	Designation	Description
<b>General</b>		
1791855	FFKDSA1/V-5,08	End terminal block, 5.08 mm wide, necessary at the end of a row of terminal blocks, for vertical connection

## Drawings

### Drilling diagram



### Dimensioned drawing



**Address**

PHOENIX CONTACT Inc., USA  
586 Fulling Mill Road  
Middletown, PA 17057, USA  
Phone (800) 888-7388  
Fax (717) 944-1625  
<http://www.phoenixcon.com>



© 2008 Phoenix Contact  
Technical modifications reserved;